

*Celebrating a Century
of British Manufacturing*

CONNECTED URBAN

Smart Poles for Smart Cities





Introducing Connected Urban

You've heard of the humble lamp post. Connected Urban is the next evolution of your smart city infrastructure.

With the increased demand for densification of 4G networks and the roll out of 5G, the need for improved connectivity on our streets has never been greater.

Designed to accommodate multi-faceted services for a full smart city solution, from antennas to CCTV, public address systems and more, Connected Urban is a range of sleek, modular and scalable smart poles designed to not only meet but exceed the connectivity needs of modern cities.

Providing local authorities and private asset owners with a platform to deploy their smart city infrastructure, Connected Urban is a revolutionary asset that opens revenue opportunities through rental arrangements with mobile network operators in sought-after street-level locations.

As a direct replacement for your existing street lighting infrastructure, or new, Connected Urban is an exciting future proof commercial solution which delivers both macro and small cells within a single, compact footprint.

Stay Connected at all times

Access any where, urban densification, 4G/5G connectivity/ creating capacity in city locations.

As modern cities, and densely populated areas like stadiums grapple with soaring population densities, our current data and digital infrastructure is straining to meet the escalating demand. The resulting lack of capacity frustrates citizens who struggle to reliably access their mobile networks, disrupting day-to-day activities.

Connected Urban can help you bridge this connectivity gap, integrating 4G/5G capabilities at street-level.

This exciting, modular, and fully customisable smart pole offers a transformative solution. Both macro and small cells within a single, compact footprint.

With Connected Urban, you can trust in a seamless, reliable connection that caters to a diverse range of application needs.

Applications



STADIUMS



CITY



PARKS



CAR PARKS

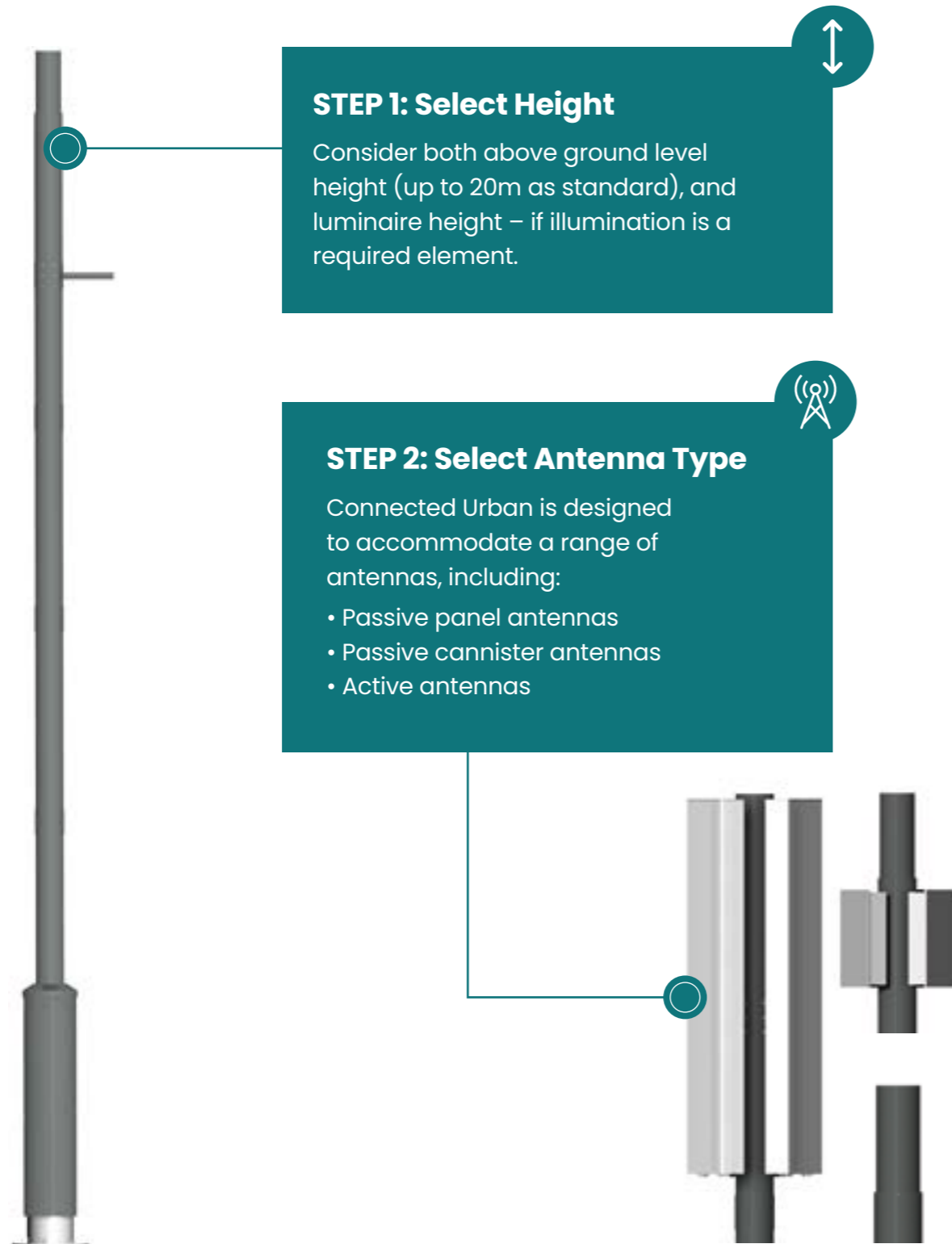


RAIL



How to Specify Connected Urban

Connected Urban is fully customisable to your specific needs, our smart poles span a spectrum of applications, from digital infrastructure and connectivity to lighting, smart city monitoring, and citizen wellbeing. Here we discuss the elements you'll need to consider to begin to design your smart pole.



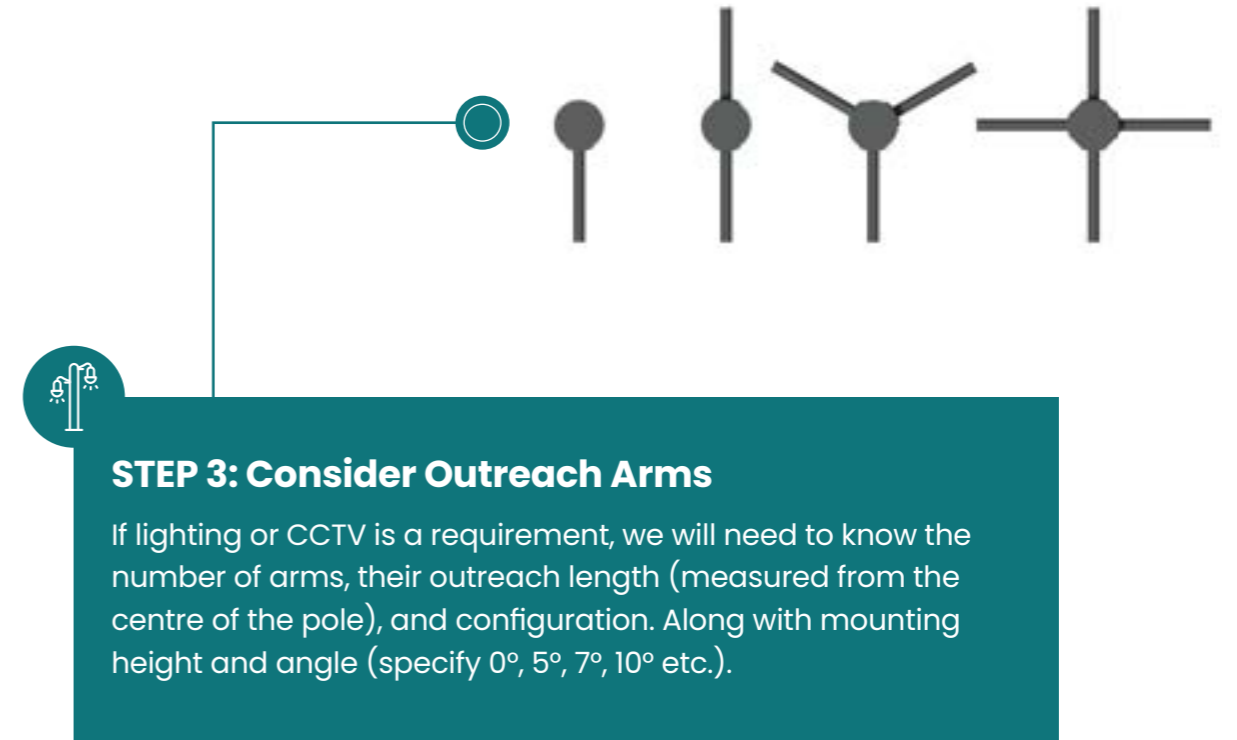
STEP 1: Select Height

Consider both above ground level height (up to 20m as standard), and luminaire height – if illumination is a required element.

STEP 2: Select Antenna Type

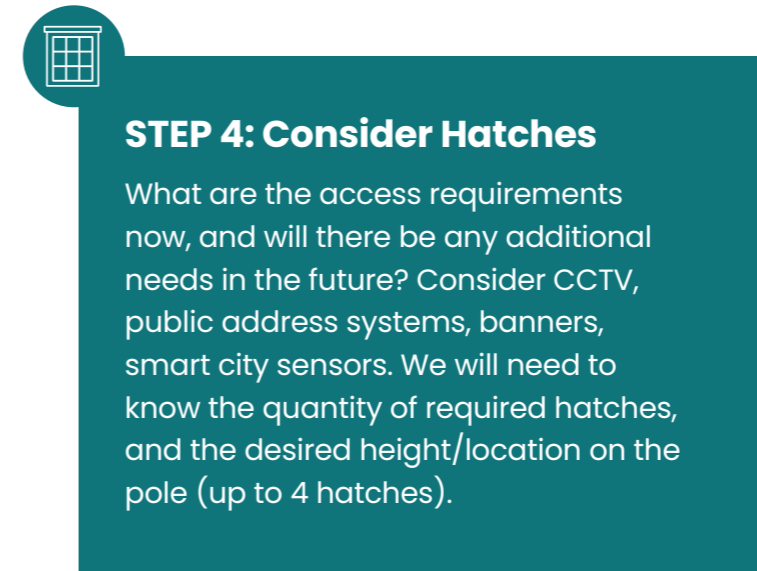
Connected Urban is designed to accommodate a range of antennas, including:

- Passive panel antennas
- Passive canister antennas
- Active antennas



STEP 3: Consider Outreach Arms

If lighting or CCTV is a requirement, we will need to know the number of arms, their outreach length (measured from the centre of the pole), and configuration. Along with mounting height and angle (specify 0°, 5°, 7°, 10° etc.).



STEP 4: Consider Hatches

What are the access requirements now, and will there be any additional needs in the future? Consider CCTV, public address systems, banners, smart city sensors. We will need to know the quantity of required hatches, and the desired height/location on the pole (up to 4 hatches).

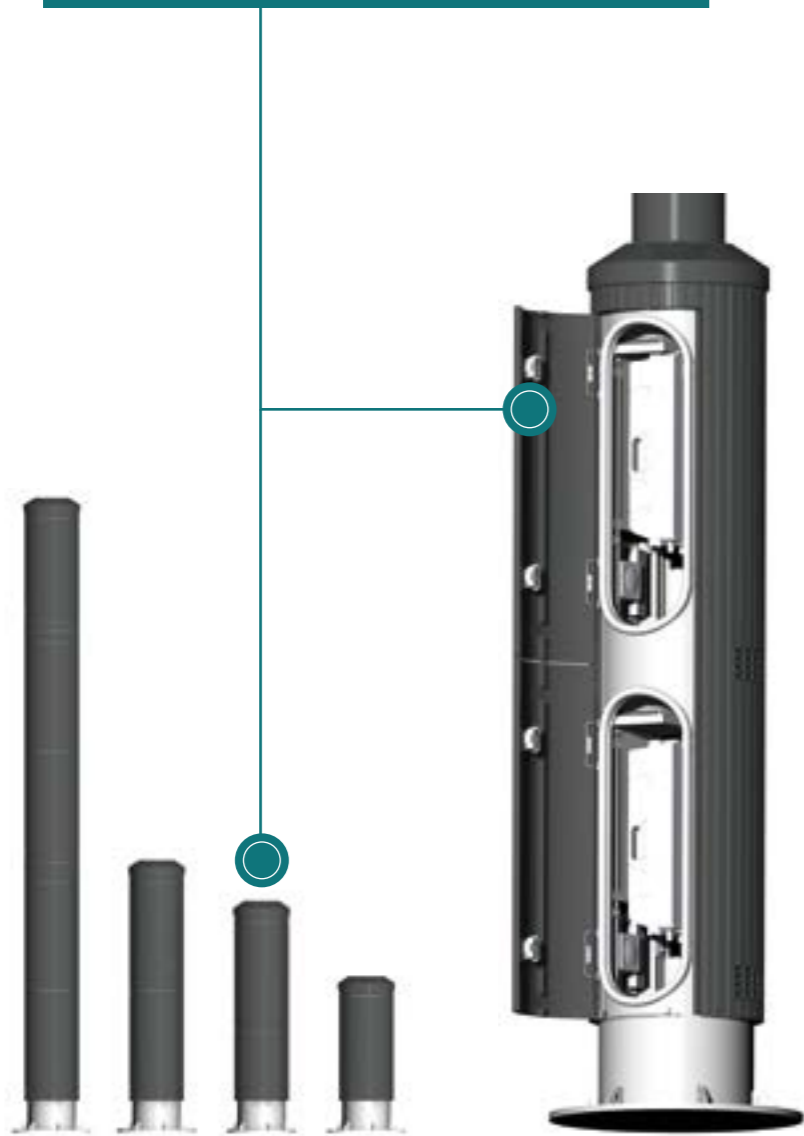


STEP 5: Select Base Standard or Extended?

Our standard base is modular and scalable, with options from single 900mm door up to 5 x 900mm.

Features include:

- Capacity for macro radios
- High security locks
- Active ventilation system
- Solar protection



IN ADDITION TO THE ABOVE STANDARD INFORMATION WE CAN ALSO DESIGN FOR SPECIAL AND BESPOKE PROJECTS, INCLUDING CATENARY CONNECTIONS AND HEAVY LOADS.

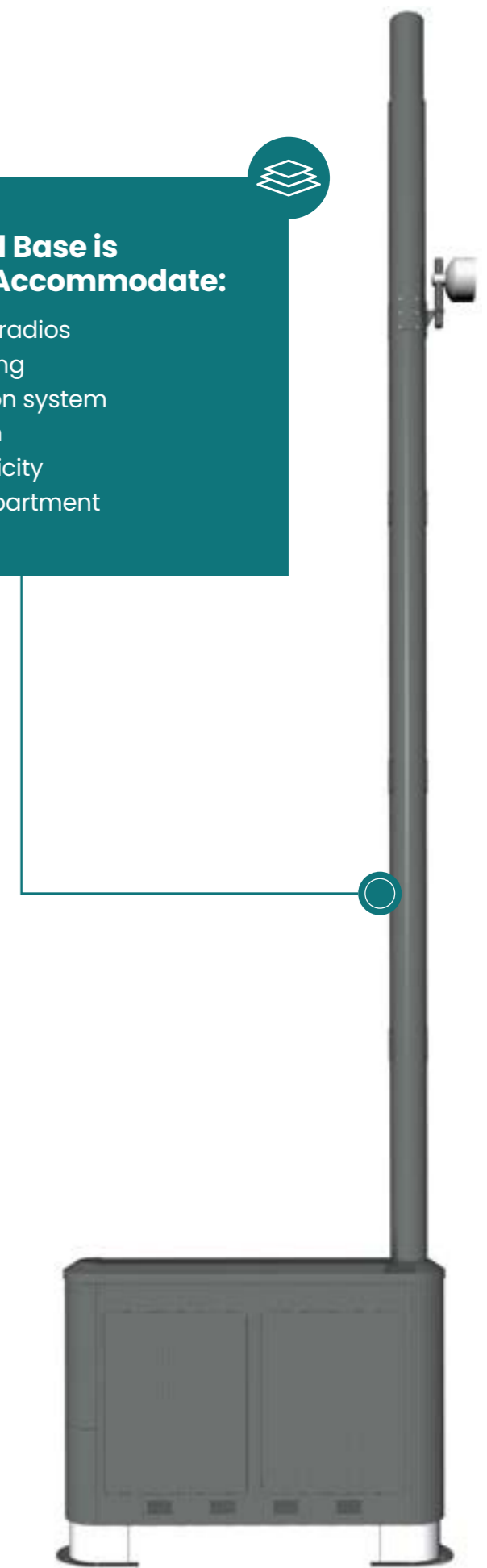


For help specifying Connected Urban please contact us on:
hello
@cuphosco.com



Our Extended Base is Designed to Accommodate:

- Multiple macro radios
- 19" rack mounting
- Active ventilation system
- Solar protection
- Separate electricity company compartment





About CU Phosco Lighting

For over 100 years, **CU Phosco** Lighting has been at the forefront of British manufacturing, supporting businesses throughout the world with concrete lamp posts and structures, before our evolution into steel poles and masts, driven by the evolving needs of our clients and specifiers. Our philosophy is simplicity, reliability and above all else, safety. A mission proven in the field over many decades.

Working in collaboration with key organisations within the telecommunications industry, **CU Phosco** Lighting has amassed a wealth of experience and knowledge to support the design, manufacture and installation of antenna masts and supporting mast packages. These have included: monopoles, sector columns, street poles and lighting columns which are manufactured from steel. The structures are galvanised and can be painted to support individual colour schemes when specified.

Our masts and structures are designed to ensure the integrity of antenna masts, supporting mobile phone operators with robust solutions that help to increase connectivity.



Our products are designed and manufactured in the UK at our dedicated high-mast facility, and made from 100% recyclable or reusable materials.

CU
Phosco
LIGHTING

100

*Celebrating a Century
of British Manufacturing*

CONTACT US

CU Phosco Lighting

Charles House
Furlong Way
Great Amwell
Ware, Herts
SG12 9TA

+44 (0) 1920 860600

hello@cuphosco.com

www.cuphosco.com

Copyright© 2023

CU Phosco Lighting.

Due to constant development, details in this brochure are subject to change at any time. Contact us for the latest information.