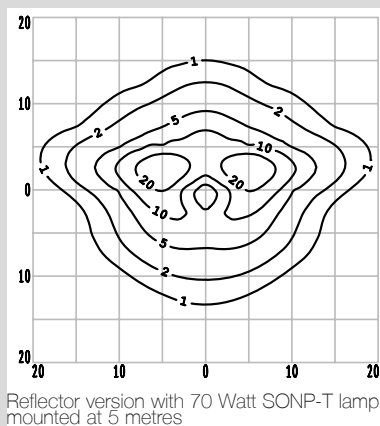
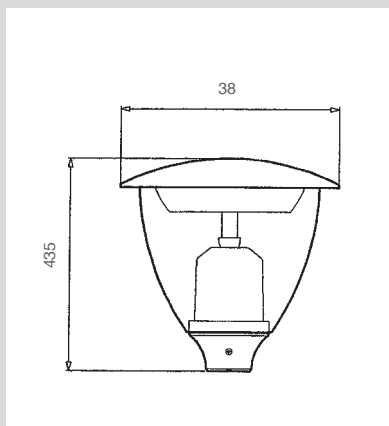




P707 Camino



Recommended Applications:

Mounting Height:

Wind area:

Spigot:

IP Rating:

Residential areas, shopping areas, squares, parks, minor roads, footpaths

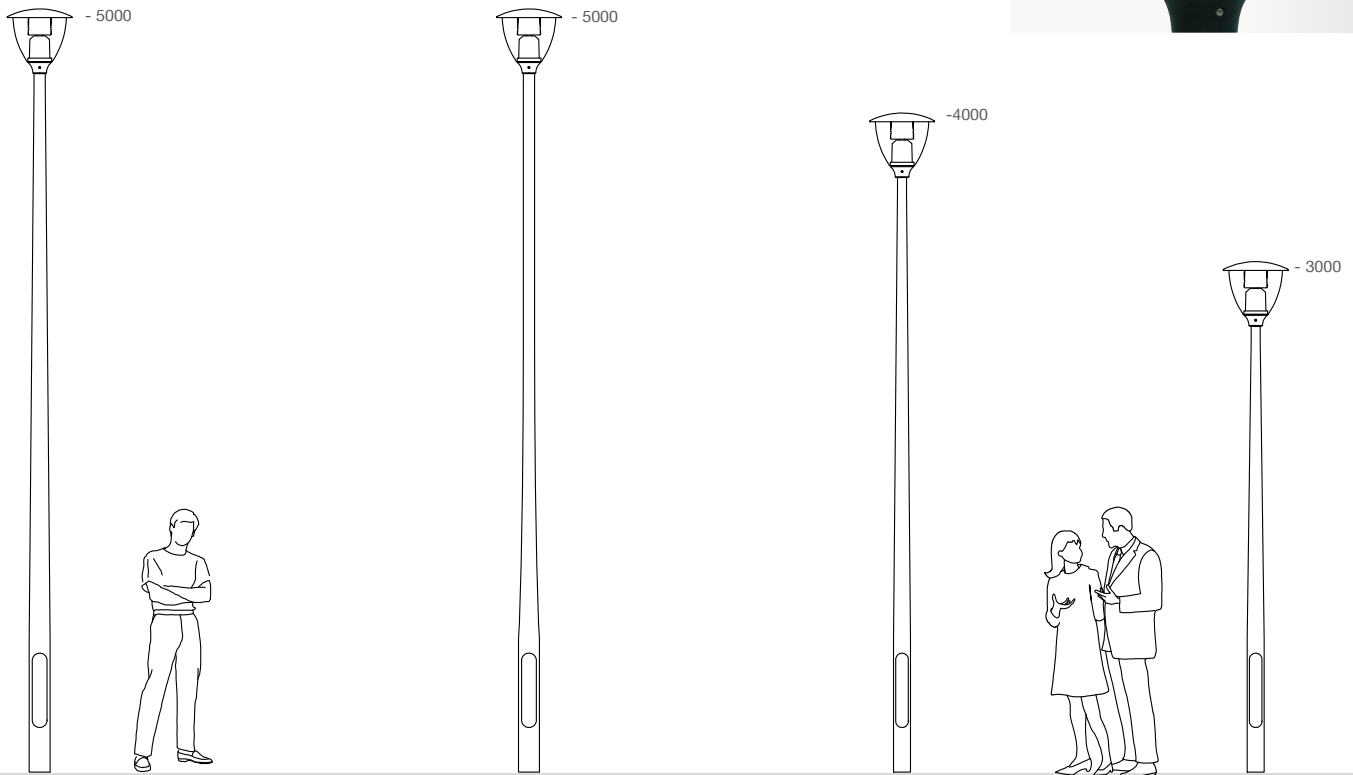
3 - 6m for post-top or wall-mounted fixing. P707 specifically designed columns and brackets available

0.13m²

PT: 76mm x 76mm

PT: 60mm x 76mm

IP65



Mounted on CU Phosco TT column

P707 Camino

An elegant post top luminaire with photometric performance of the highest efficiency. The Camino has a simple classic style.

MATERIALS AND FINISHES

- The spigot, internal mouldings and bowl are manufactured from high impact resistant UV stabilized polycarbonate
- Styled top manufactured from spun aluminium
- Aluminium reflector for tubular lamps
- Acrylic refractor for elliptical lamp options
- The control gear is contained within the luminaire and is immediately accessible, as is the lamp on removal of the bowl assembly
- Bowl assembly fitted with a lockable bayonet fixing
- Finished black

OPTIONS AND EXTRAS

- Available with 76mm or 60mm spigot
- Miniature photocell option
- Electronic control gear on selected lamps
- PL-T Compact Fluorescent lamp (CFL) option (Refractor version only)
- Road lighting reflector
- Refractor for asymmetrical light distribution
- Choice of RAL colours at extra cost
- Option of pre-wiring with suitable length of cable
- Wall bracket option

Architectural Lighting

Architectural lighting covers those luminaires not “heritage” in style, which have a design which is more than simply functional. Their design matches technical requirements with modern aesthetics to provide a sympathetic environmental solution.

The photometric performance is important and many of CU Phosco Lighting's amenity luminaires have the same performance as their road lighting range.

New lamps are continuously being developed and the CDO lamp is particularly suitable for traditional lighting as it gives a very white light up to 92 Lumens per Watt efficiency level. CU Phosco Lighting's 70W CDM/CDO reflector can be fitted to many of our traditional fittings. LED versions of luminaires are in development - please refer to the LED section of this catalogue.

P707 Camino, Real and Frances

P707 Camino, Real and Frances			Wind Area	0.13m ²	
Description	Product Number	Weight	Description	Product Number	Weight
Luminaire reference	P707	4.7kg			
50W SON-T control gear	50SONT	1.6 kg	50W SON electronic control gear	50SONELE	0.5 kg
70W SON-T control gear	70SONT	1.9 kg	70W SON electronic control gear	70SONELE	0.5 kg
35W CDM-T control gear	35CDMT	1.6 kg	35W CDM electronic control gear	35CDMELE	0.2 kg
70W CDO-TT control gear	70CDO TT	1.9 kg	70W CDO electronic control gear	70CDMELE	0.5 kg
42W PLT control gear	42PLT	0.2 kg	*45W Cosmopolis		
57W PLT control gear	57PLT	0.2 kg	*60W Cosmopolis		
			* Supplied as remote gear only		
Options					
76mm Ø Spigot			76		
60mm Ø Spigot			60		
Reflector				RT	
Road Lighting Reflector				RF	
Miniature 1 part photocell only				PC	
Special colour RAL number				RAL	
Prewired with suitable length of cable				CBL	