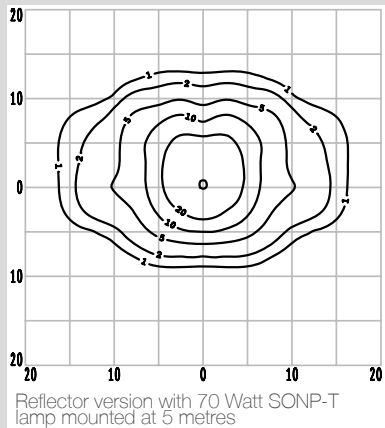
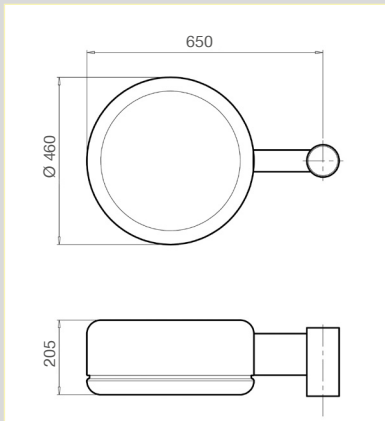




P570



Recommended Applications:

Minor roads, residential areas (requiring minimal light pollution), shopping areas, squares, parks, cycleways, rail

Mounting Height:

5 -6m

Wind area:

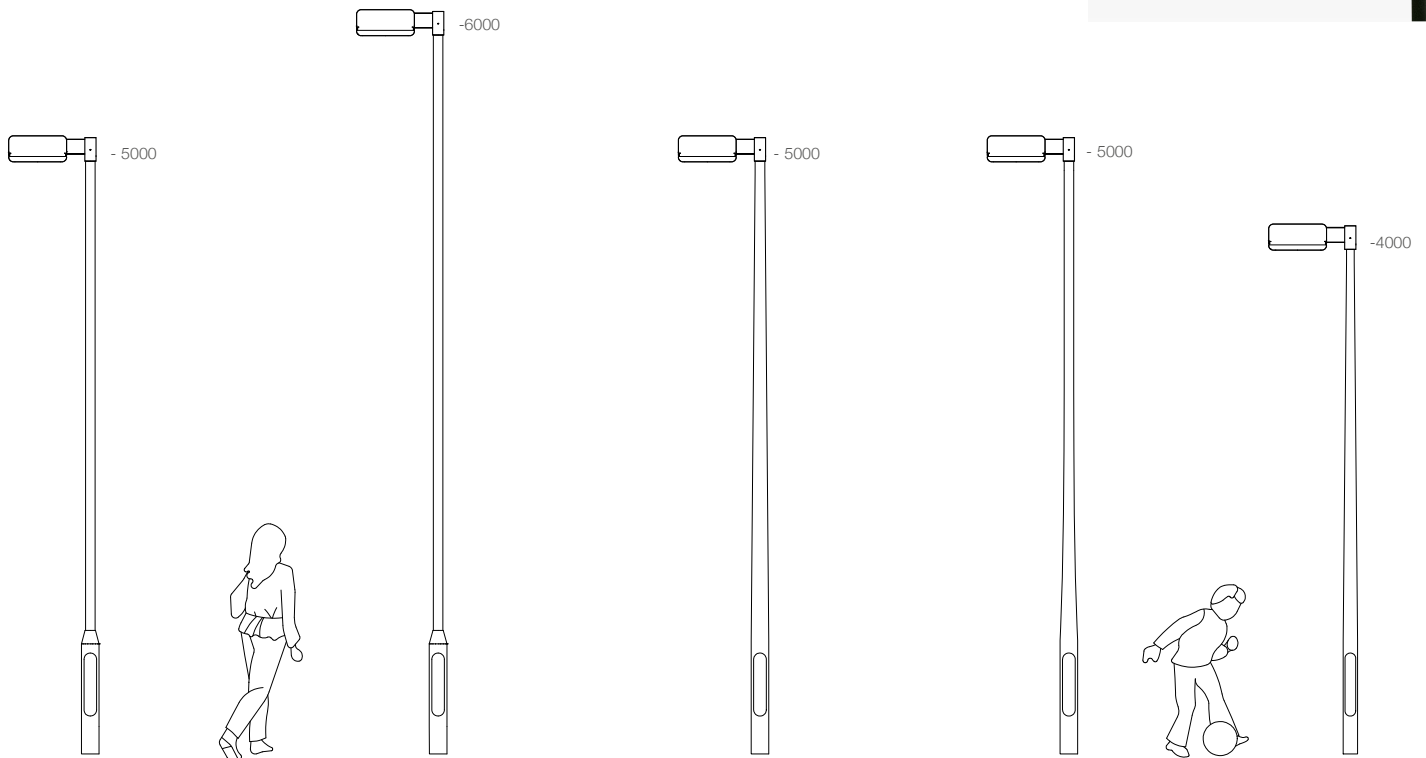
0.11m²

Spigot:

PT: 76mm x 76mm

IP Rating:

IP65



Mounted on CU Phosco Forest column

Mounted on CU Phosco TT column

P570

A disc shaped luminaire with a low glare emission of light, avoiding wasteful light pollution. Adjustable optics with 3 horizontal settings, allows a flexible architectural to light distribution relationship.

MATERIALS AND FINISHES

- Black aluminium body
- Full cut-off flat glass – to provide zero upward light
- Highly efficient multi-faceted optical system with 3 lamp holder settings for maximum light output with tight control of beam and minimum spill
- Easily accessible compartment for quick and safe re-lamping

OPTIONS AND EXTRAS

- Single or double bracket options
- Long bracket available as a special
- Wall bracket option
- Miniature photocell option
- Choice of RAL colours at extra cost
- Option of pre-wiring with suitable length of cable

Architectural Lighting

Architectural lighting covers those luminaires not “heritage” in style, which have a design which is more than simply functional. Their design matches technical requirements with modern aesthetics to provide a sympathetic environmental solution.

The photometric performance is important and many of CU Phosco Lighting's amenity luminaires have the same performance as their road lighting range.

New lamps are continuously being developed and the CDO lamp is particularly suitable for traditional lighting as it gives a very white light up to 92 Lumens per Watt efficiency level. CU Phosco Lighting's 70W CDM/CDO reflector can be fitted to many of our traditional fittings. LED versions of luminaires are in development - please refer to the LED section of this catalogue.

P570 Luminaire			Wind Area		0.11m ²
Description	Product Number	Weight	Description	Product Number	Weight
Luminaire Reference	P570	12.1kg			
50W SON control gear	50SON	1.6 kg	50W SON electronic control gear	50SONELE	0.5 kg
70W SON control gear	70SON	1.9 kg	70W SON electronic control gear	70SONELE	0.5 kg
35W CDM control gear	35CDM	1.6 kg	35W CDM electronic control gear	70CDMELE	0.2 kg
70W CDO control gear	70CDO	1.9 kg	70W CDO electronic control gear	70CDOELE	0.5 kg
			45W Cosmopolis control gear	45COSMO	0.9 kg
			60W Cosmopolis control gear	60COSMO	0.9 kg
Options					
Single column mount			SE		-
Twin column mount			TSE		-
Wall mount			WB		-
Miniature 1 part photocell				MINI	-
Special colour RAL number				RAL	-
Pre-wired with suitable length of cable				CBL	-