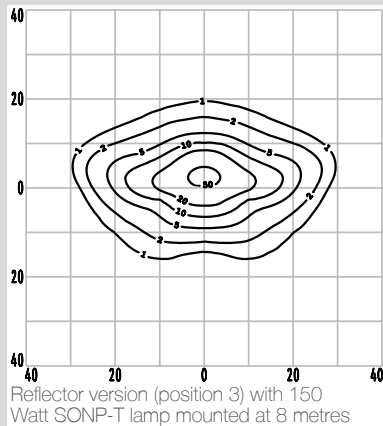
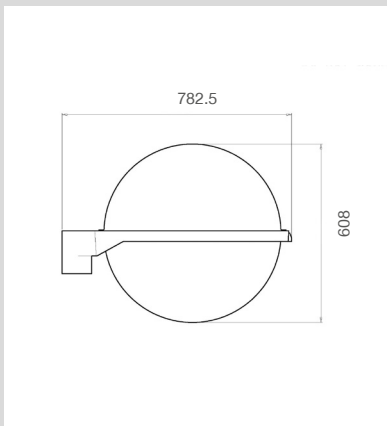
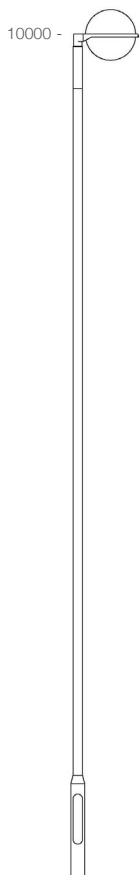




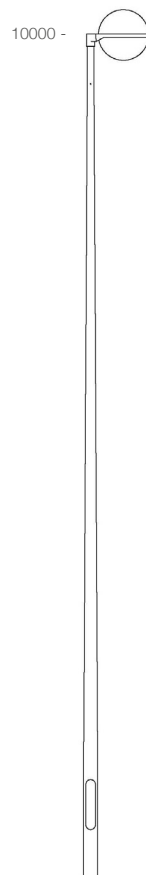
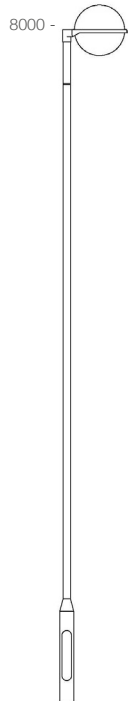
# P540



Recommended Applications:	Major roads, residential areas, shopping areas, car parks, rail, airports.
Mounting Height:	8 - 12m
Wind area:	0.29m <sup>2</sup>
Spigot:	PT: 76mm x 76mm SE: 34mm x 100mm
IP Rating:	IP65



Mounted on CU Phosco Forest column



Mounted on CU Phosco TT column



## P540

A large banded spherical lantern (design theme as the smaller P545), with a painted aluminium top, clear hemispherical bowl.

### MATERIALS AND FINISHES

- Clear vandal-resistant acrylic bowl and spun aluminium top
- Cast aluminium centre ring
- Sealed reflector system with 5 step adjustment
- System has less than 2% upward light.
- IP65 sealed lamp compartment with FILTERSEALED breather system
- Easily accessible compartment, for quick and safe re-lamping.

### OPTIONS AND EXTRAS

- Post top, twin post top and side entry options available.
- Miniature photocell option.
- Choice of RAL colours at extra cost
- Option of pre-wiring with suitable length of cable

# Architectural Lighting

Architectural lighting covers those luminaires not “heritage” in style, which have a design which is more than simply functional. Their design matches technical requirements with modern aesthetics to provide a sympathetic environmental solution.

The photometric performance is important and many of CU Phosco Lighting's amenity luminaires have the same performance as their road lighting range.

New lamps are continuously being developed and the CDO lamp is particularly suitable for traditional lighting as it gives a very white light up to 92 Lumens per Watt efficiency level. CU Phosco Lighting's 70W CDM/CDO reflector can be fitted to many of our traditional fittings. LED versions of luminaires are in development - please refer to the LED section of this catalogue.

P540 Luminaire			Wind Area 0.29m <sup>2</sup>		
Description	Product Number	Weight	Description	Product Number	Weight
Luminaire reference	P540	12.0 kg			
100W SON-T control gear	100SONT	2.1 kg	100W SON electronic control gear	100SONELE	0.8 kg
150W SON-T control gear	150SONT	2.8 kg	150W SON electronic control gear	150SONELE	0.8 kg
250W SON-T control gear	250SONT	3.9 kg	100W CDO electronic control gear	100CDOELE	0.8 kg
100W CDO-T control gear	100CDOT	2.1 kg	150W CDO electronic control gear	150CDOELE	0.8 kg
150W CDO-T control gear	150CDOT	2.8 kg	90W Cosmopolis control gear	90COSMO	0.9 kg
250W MBI-T control gear	250MBIT	3.9 kg	140W Cosmopolis control gear	140COSMO	0.9 kg
<b>Options</b>					
Side entry mount			SE		-
Post top mount			PT		-
Twin post top mount			TPT		-
Miniature 1 part photocell				MINI	-
Special colour RAL number				RAL	-
Pre-wired with suitable length of cable				CBL	-