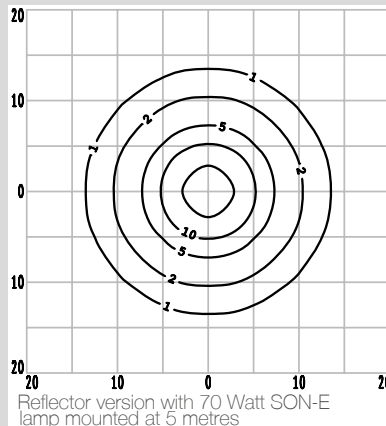
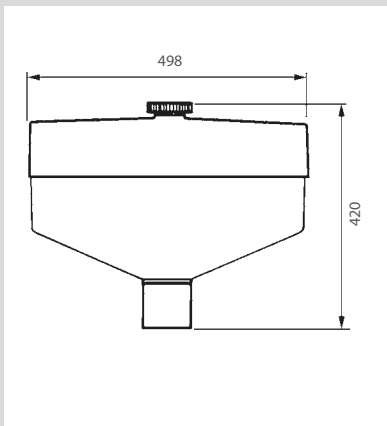




# P178



Recommended Applications:

Minor roads, residential areas (requiring minimum light pollution), shopping areas, squares, parks, cycleways, rail

Mounting Height:

3 - 6m

Wind area:

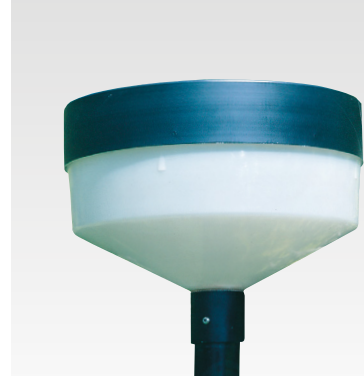
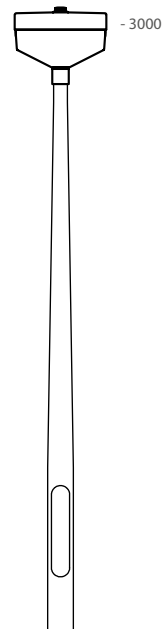
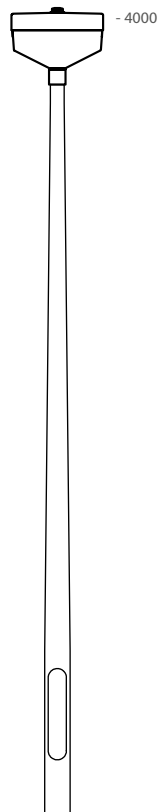
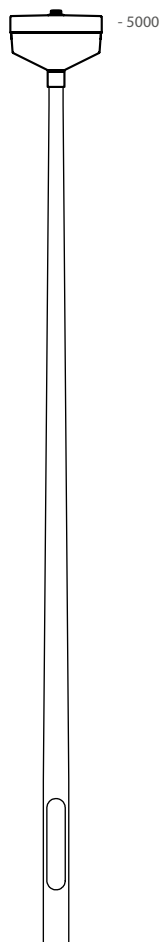
0.11m<sup>2</sup>

Spigot:

PT: 76mm x 76mm

IP Rating:

IP54



Mounted on CU Phosco TT column

## P178

A classic design by John Ricks. The P178 is a Design Council award winning post top luminaire,

### MATERIALS AND FINISHES

- Black aluminium spigot cap and canopy
- Vandal-resistant acrylic opal bowl
- IP54 sealed lamp and gear compartment

### OPTIONS AND EXTRAS

- NEMA socket/photocell miniature photocell
- Wall bracket and corner wall bracket
- Choice of RAL colours at extra cost
- Option of pre-wiring with suitable length of cable

# Architectural Lighting

Architectural lighting covers those luminaires not “heritage” in style, which have a design which is more than simply functional. Their design matches technical requirements with modern aesthetics to provide a sympathetic environmental solution.

The photometric performance is important and many of CU Phosco Lighting's amenity luminaires have the same performance as their road lighting range.

New lamps are continuously being developed and the CDO lamp is particularly suitable for traditional lighting as it gives a very white light up to 92 Lumens per Watt efficiency level. CU Phosco Lighting's 70W CDM/CDO reflector can be fitted to many of our traditional fittings. LED versions of luminaires are in development - please refer to the LED section of this catalogue.

## P178 Lantern

Wind Area 0.13m<sup>2</sup>

Description	Product Number	Weight	Description	Product Number	Weight
Luminaire reference	P178	6.3 kg			
50W SON control gear	50SON	1.6 kg	50W SON electronic control gear	50SONELE	0.5 kg
70W SON control gear	70SON	1.9 kg	70W SON electronic control gear	70SONELE	0.5 kg
35W CDM control gear	35CDM	1.6 kg	35W CDM electronic control gear	35CDMELE	0.2 kg
70W CDO control gear	70CDO	1.9 kg	70W CDO electronic control gear	70CDMELE	0.5 kg
42W PLT control gear	42PLT	0.2 kg	45W Cosmopolis control gear	45COSMO	0.9 kg
57W PLT control gear	57PLT	0.2 kg	60W Cosmopolis control gear	60COSMO	0.9 kg

### Options

Miniature 1 part photocell	PC
NEMA photocell socket	NEMA
Road lighting reflector	RF
Special colour RAL number	RAL
Pre-wired with suitable length of cable	CBL