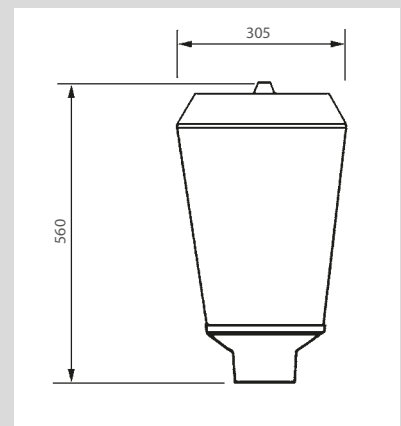
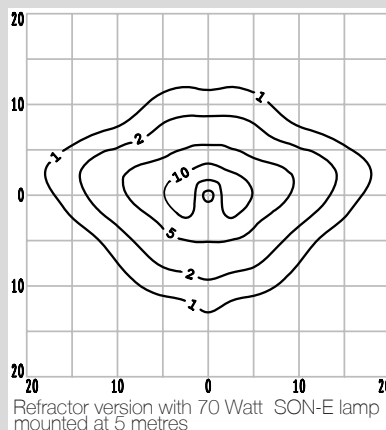
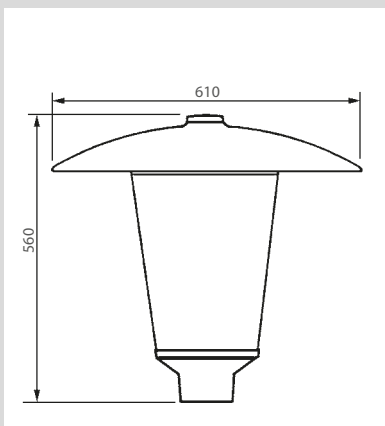




P107



Recommended Applications:

Mounting Height:

Wind area:

Spigot:

IP Rating:

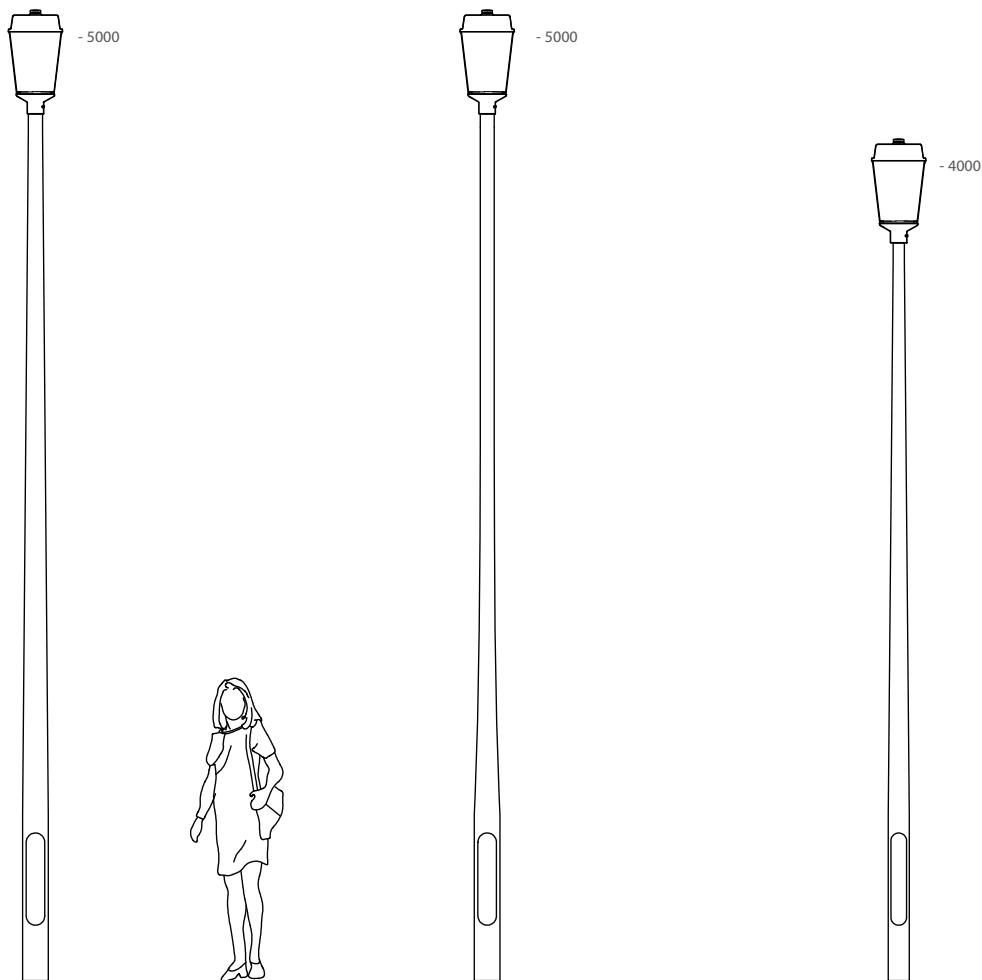
Minor roads, residential areas, shopping areas, squares, parks, car parks

4 -6m for post-top fixing

0.13m²

PT: 76mm x 76mm

IP54



Mounted on CU Phosco TT column

P107

A simple classic post-top lantern with functional design. The canopy is available in two different sizes for different styles and situations.

MATERIALS AND FINISHES

- Black high pressure die-cast aluminium spigot
- One piece injection moulded vandal-resistant bowl
- Assymetrical light distribution refractor

OPTIONS AND EXTRAS

- 12" (small) or 24" (large) diameter canopy.
- Clear or opal cone
- Refractor system for asymmetrical light distribution.
- Side road reflector (only with clear lens and tubular lamps up to 70w)
- NEMA socket/photocell or miniature photocell option.
- Wall bracket and corner-wall bracket.
- Choice of RAL colours at extra cost
- Option of pre-wiring with suitable length of cable

Architectural Lighting

Architectural lighting covers those luminaires not “heritage” in style, which have a design which is more than simply functional. Their design matches technical requirements with modern aesthetics to provide a sympathetic environmental solution.

The photometric performance is important and many of CU Phosco Lighting's amenity luminaires have the same performance as their road lighting range.

New lamps are continuously being developed and the CDO lamp is particularly suitable for traditional lighting as it gives a very white light up to 92 Lumens per Watt efficiency level. CU Phosco Lighting's 70W CDM/CDO reflector can be fitted to many of our traditional fittings. LED versions of luminaires are in development - please refer to the LED section of this catalogue.

P107 Lantern

Wind Area

0.13m²

Description	Product Number	Weight	Description	Product Number	Weight
Luminaire reference	P107	5.8 kg			
35W SOX control gear	35SOX	1.7 kg	50W SON electronic control gear	50SONELE	0.5 kg
50W SON control gear	50SON	1.6 kg	70W SON electronic control gear	70SONELE	0.5 kg
70W SON control gear	70SON	1.9 kg	100W SON electronic control gear	100SONELE	0.8 kg
100W SON control gear	100SON	2.1 kg	35W CDM electronic control gear	35CDOELE	0.2 kg
35W CDM control gear	35CDM	1.6 kg	70W CDO electronic control gear	70CDOELE	0.5 kg
70W CDO control gear	70CDO	1.9 kg	100W CDO electronic control gear	100CDOELE	0.8 kg
100W CDO control gear	100CDO	2.1 kg	45W Cosmopolis control gear	45COSMO	0.9 kg
42W PLT control gear	42PLT	0.2 kg	60W Cosmopolis control gear	60COSMO	0.9 kg
57W PLT control gear	57PLT	0.2 kg	90W Cosmopolis control gear	90COSMO	0.9 kg
Options					
Miniature 1 part photocell				PC	
NEMA photocell socket				NEMA	
Road lighting reflector				RF	
Special colour RAL number				RAL	
Pre-wired with suitable length of cable				CBL	