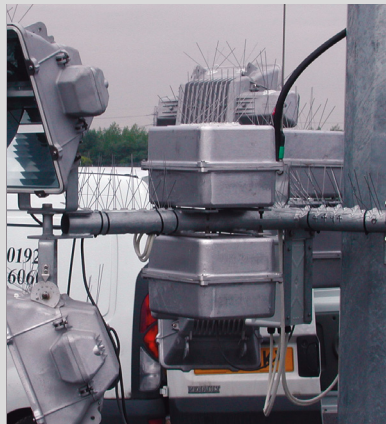
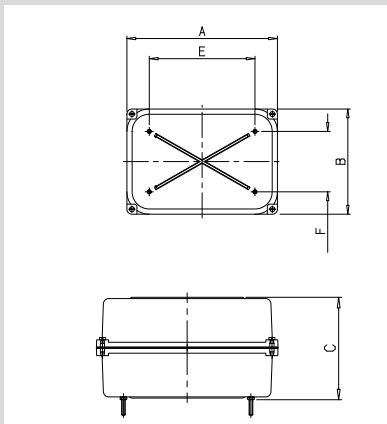




WB520 AND WB530 CONTROL GEAR BOXES



WB520 for discharge sources up to 400 watt

WB530 for discharge sources up to 2000 watt (includes twin up to 600 watt)

Supplied pre-wired with control gear

Body: LM6-M high pressure die cast alloy

Lid: Fully gasketed and fixed with 4 captive stainless steel screws

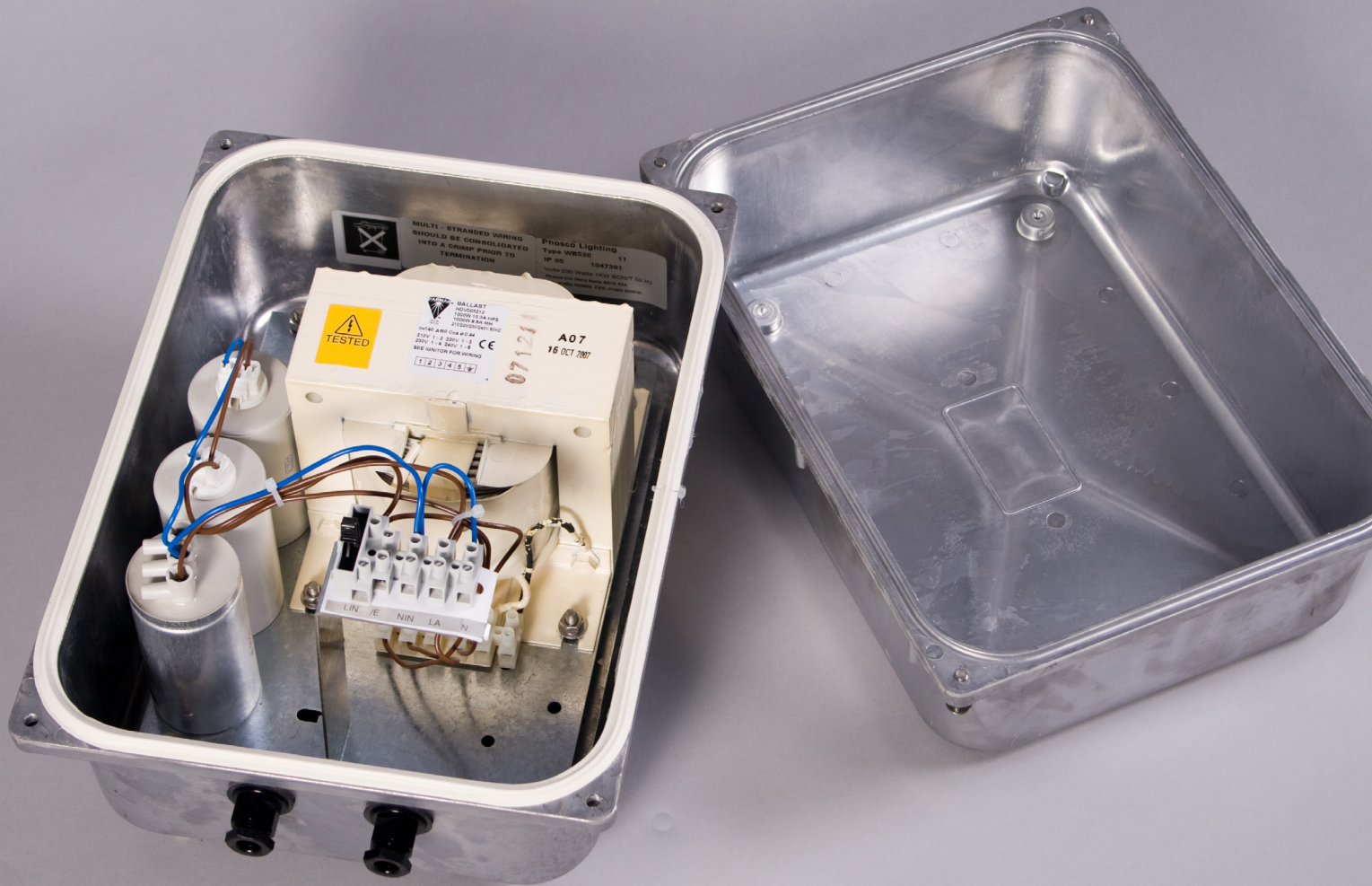
Option: Nylon flexible conduit tube (IP65) for connecting control gear boxes to floodlights/luminaires providing additional protection to the cable

IP Classification: IP65

Control gear is normally supplied for 240V quotation.

Control gear for other voltages available on request.

Boxes can be supplied empty, or with gear tray only, with or without glands



WB520 AND WB530 CONTROL GEAR BOXES

DIMENSIONS AND WEIGHTS	WB520	WB530
Length A	229mm	351mm
Width B	209mm	260mm
Height C	168mm	224mm
Fixing Centres E & F	210mm x 120mm	256mm x 165mm
Fixing Studs	6mm dia.	10mm dia.
Weight: Without Control Gear	3.5kg	5.8 kg
Weight: Fitted with 150 watt Son Control Gear	6.3 kg	(Twin: 9.1kg)
Weight: Fitted with 250 watt Son Control Gear	7.3 kg	(Twin: 11.1 kg)
Weight: Fitted with 400 watt Son Control Gear	7.9 kg	(Twin: 12.3 kg)
Weight: Fitted with 400 watt MBI Control Gear	7.7 kg	(Twin: 14.2 kg)
Weight: Fitted with 600 watt Son Control Gear	9.3 kg	(Twin: 17.4 kg)
Weight: Fitted with 1000 watt Son Control Gear	-	22.4 kg
Weight: Fitted with 1000 watt MBI Control Gear	-	17.6 kg
Weight: Fitted with 2000 watt MBI Control Gear	-	22.5 kg