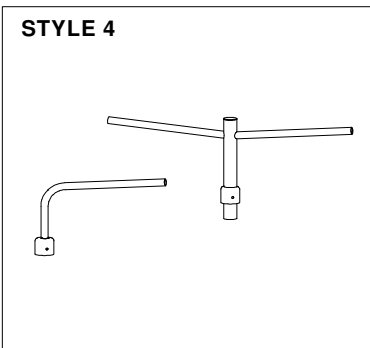


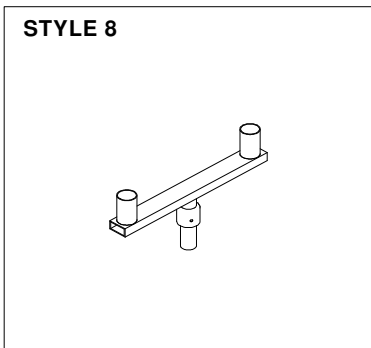
STANDARD ROAD AND FLOODLIGHT BRACKETS

All side entry brackets are with 5 deg uplift unless specified otherwise.
 Style 1 brackets are without gusset unless specified otherwise.
 S/A is Single Arm D/A is Double Arm

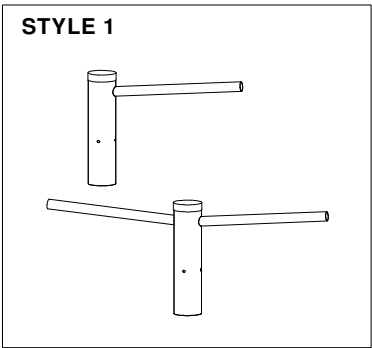
STYLE 4



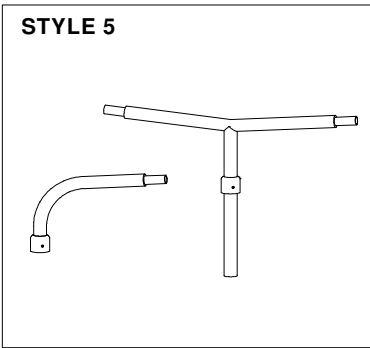
STYLE 8



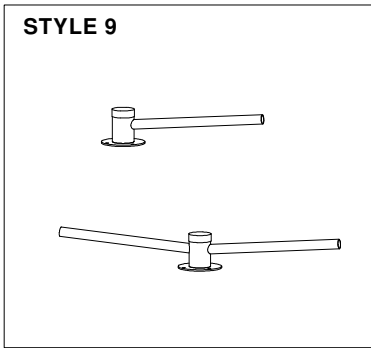
STYLE 1



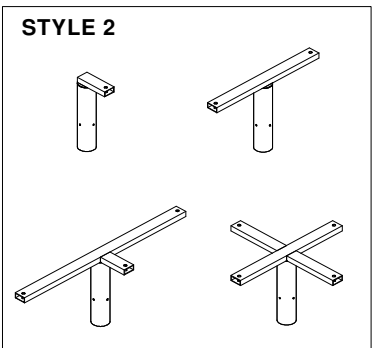
STYLE 5



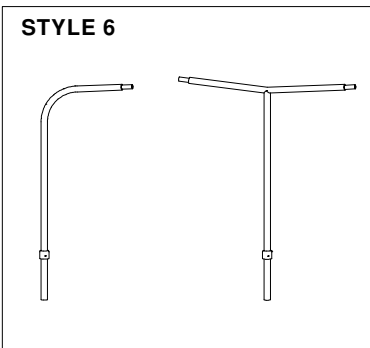
STYLE 9



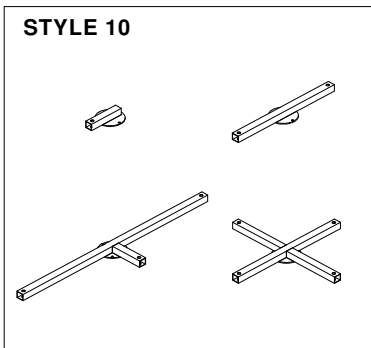
STYLE 2



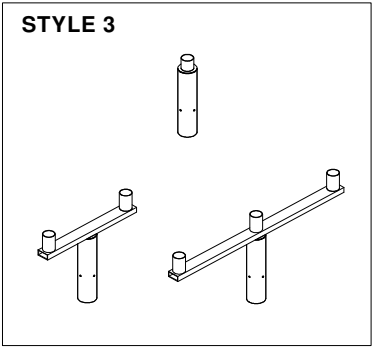
STYLE 6



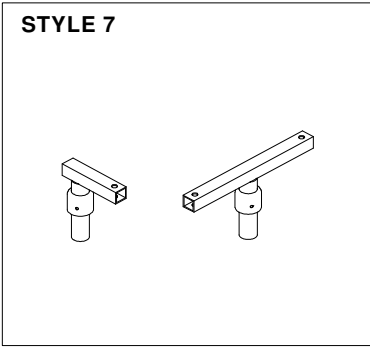
STYLE 10



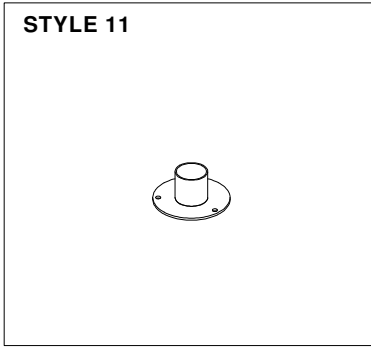
STYLE 3



STYLE 7



STYLE 11



STANDARD ROAD & FLOODLIGHT BRACKET PART NUMBERS

FOREST COLUMNS 76mm dia shaft	Style	Part Number
S/A 0.30m Side Entry 34mm dia	4	B2406501
S/A 0.50m Side Entry 34mm dia	4	B2410501
S/A 0.75m Side Entry 34mm dia	4	B2415501
D/A 0.30m Side Entry 34mm dia	4	Z2406402
D/A 0.50m Side Entry 34mm dia	4	Z2410402
D/A 0.75m Side Entry 34mm dia	4	Z2415402
1 Way Floodlight (stirrup fixing)	7	Z2701001
2 Way Floodlight (stirrup fixing)	7	Z2704004
2 Way Post Top Spigot 76 dia	8	Z2807006

FOREST COLUMNS 76mm dia shaft - reducer bracket	Style	Part Number
S/A 0.30m Side Entry 34mm dia	1	A2406201
S/A 0.50m Side Entry 34mm dia	1	A2410201
S/A 0.75m Side Entry 34mm dia	1	A2415201
D/A 0.30m Side Entry 34mm dia	1	A2406200
D/A 0.50m Side Entry 34mm dia	1	A2410200
D/A 0.75m Side Entry 34mm dia	1	A2415200

FOREST COLUMNS 90mm dia shaft - reducer bracket	Style	Part Number
S/A 0.50m Side Entry 42mm dia	1	A2510211
S/A 1.00m Side Entry 42mm dia	1	A2520211
S/A 1.50m Side Entry 42mm dia	1	A2530211
S/A 2.00m Side Entry 42mm dia	1	A2540211
D/A 0.50m Side Entry 42mm dia	1	A2510210
D/A 1.00m Side Entry 42mm dia	1	A2520210
D/A 1.50m Side Entry 42mm dia	1	A2530210
D/A 2.00m Side Entry 42mm dia	1	A2540210
Post Top Adaptor 76mm dia x 76mm	3	A2000011
Post Top Adaptor 60mm dia x 100mm	3	A20000113
1 Way Floodlight Stirrup fixing	2	A2905211
2 Way Floodlight Stirrup fixing	2	A2906218
2 Way Post Top Spigot 76 dia	3	A2807212
3 Way Floodlight Stirrup fixing	2	A2913213
3 Way Post Top Spigot 76 dia	3	A2813213
4 Way Floodlights Stirrup fixing 2up / 2down	2	A2908212
4 Way Floodlight Stirrup fixing NSEW	2	A2910214
4 Way Post Top Spigot 76 dia NSEW	3	A2810214

FOREST COLUMNS 114mm dia shaft - reducer bracket	Style	Part Number
S/A 0.50m Side Entry 42mm dia	1	A2510231
S/A 1.00m Side Entry 42mm dia	1	A2520231
S/A 1.50m Side Entry 42mm dia	1	A2530231
S/A 2.00m Side Entry 42mm dia	1	A2540231
D/A 0.50m Side Entry 42mm dia	1	A2510230
D/A 1.00m Side Entry 42mm dia	1	A2520230
D/A 1.50m Side Entry 42mm dia	1	A2530230
D/A 2.00m Side Entry 42mm dia	1	A2540230
Post Top Adaptor 76mm dia x 76mm	3	A2000031
Post Top Adaptor 60mm dia x 100mm	3	A2000039
1 Way Floodlight Stirrup fixing	2	A2905231
2 Way Floodlight Stirrup fixing	2	A2906238
2 Way Post Top Spigot 76 dia	3	A2807232
3 Way Floodlight Stirrup fixing	2	A2913233
3 Way Post Top Spigot 76 dia	3	A2813233
4 Way Floodlights Stirrup fixing 2up / 2down	2	A2908232
4 Way Floodlight Stirrup fixing NSEW	2	A2910236
4 Way Post Top Spigot 76 dia NSEW	3	A2810234

FOREST COLUMNS 140mm dia shaft - reducer bracket	Style	Part Number
S/A 0.50m Side Entry 42mm dia	1	L2510241
S/A 1.00m Side Entry 42mm dia	1	L2520241
S/A 1.50m Side Entry 42mm dia	1	L2530241
S/A 2.00m Side Entry 42mm dia	1	L2540241
D/A 0.50m Side Entry 42mm dia	1	L2510240
D/A 1.00m Side Entry 42mm dia	1	L2520240
D/A 1.50m Side Entry 42mm dia	1	L2530240
D/A 2.00m Side Entry 42mm dia	1	L2540240
Post Top Adaptor 76mm dia x 76mm	3	L2000041
Post Top Adaptor 60mm dia x 100mm	3	L20000413
1 Way Floodlight Stirrup fixing	2	P2905241
2 Way Floodlight Stirrup fixing	2	P2908242
2 Way Post Top Spigot 76 dia	3	P2807242
3 Way Floodlight Stirrup fixing	2	P2913243
3 Way Post Top Spigot 76 dia	3	P2813243
4 Way Floodlights Stirrup fixing 2up / 2down	2	P2908242
4 Way Floodlight Stirrup fixing NSEW	2	P2910244
4 Way Post Top Spigot 76 dia NSEW	3	P2808244

SMALL MID HINGED COLUMN (UP TO 6M)	Style	Part Number
S/A 0.30m Side Entry 34mm dia	4	B2406501
S/A 0.50m Side Entry 34mm dia	4	B2410501
D/A 0.30m Side Entry 34mm dia	4	Z2406402
D/A 0.50m Side Entry 34mm dia	4	Z2410402
1 Way Floodlight Stirrup fixing	7	Z2701001
2 Way Floodlight Stirrup fixing	7	Z2704004
2 Way Post Top Spigot 76 dia	8	Z2807006

MID HINGED COLUMN (8M TO 18M) BASE HINGED COLUMNS FLOODPOLES (FP) & SPORTS FLOOD POLES (SFP)	Style	Part Number
S/A 0.30m Side Entry 42mm dia (3.7kg)	9	5200555
S/A 0.50m Side Entry 42mm dia (4.1kg)	9	5200553
S/A 1.00m Side Entry 42mm dia (5.2kg)	9	5200559
S/A 1.50m Side Entry 42mm dia (6.4kg)	9	5200539
D/A 0.30m Side Entry 42mm dia (4.5kg)	9	5200556
D/A 0.50m Side Entry 42mm dia (5.3kg)	9	5200554
D/A 1.00m Side Entry 42mm dia (7.6kg)	9	5200734
D/A 1.50m Side Entry 42mm dia (9.9kg)	9	5200519
Post Top Spigot 76mm dia x 76mm (1.1)	11	5200738
Post Top Spigot 60mm dia x 80mm (1.0)	11	5200739
1 Way Floodlight Stirrup fixing (2.8kg)	10	5200951
2 Way Floodlight Stirrup fixing (6.0kg)	10	5200962
3 Way Floodlight Stirrup fixing (11.6kg)	10	5200963
4 Way Floodlight Stirrup 2up / 2down (7.4kg)	10	5200952
4 Way Floodlight Stirrup fixing NSEW (11.4)	10	5200965

TT COLUMNS (UP TO 6M)	Style	Part Number
S/A 0.30m Side Entry 34mm dia	4	B2406501
S/A 0.50m Side Entry 34mm dia	4	B2410501
S/A 0.75m Side Entry 34mm dia	4	B2415501
D/A 0.30m Side Entry 34mm dia	4	Z2406402
D/A 0.50m Side Entry 34mm dia	4	Z2410402
D/A 0.75m Side Entry 34mm dia	4	Z2415402
1 Way Floodlight Stirrup fixing	7	Z2701001
2 Way Floodlight Stirrup fixing	7	Z2704004
2 Way Post Top Spigot 76 dia	8	Z2807006
S/A 0.30m Side Entry 60/34mm dia	5	B2706501
S/A 0.50m Side Entry 60/34mm dia	5	B2710501
S/A 0.75m Side Entry 60/34mm dia	5	B2715501
D/A 0.30m Side Entry 34mm dia	5	B2706132
D/A 0.50m Side Entry 34mm dia	5	B2710132
D/A 0.75m Side Entry 34mm dia	5	B2715132

TT COLUMNS (8M TO 12M)	Style	Part Number
S/A 0.50m Side Entry 60/42mm dia	6	B2710135
S/A 0.75m Side Entry 60/42mm dia	6	B2715135
S/A 1.00m Side Entry 60/42mm dia	6	B2720135
S/A 1.25m Side Entry 60/42mm dia	6	B2725135
S/A 1.50m Side Entry 60/42mm dia	6	B2730135
D/A 0.50m Side Entry 60/42mm dia	6	B2710136
D/A 0.75m Side Entry 60/42mm dia	6	B2715136
D/A 1.00m Side Entry 60/42mm dia	6	B2720136
D/A 1.25m Side Entry 60/42mm dia	6	B2725136
D/A 1.50m Side Entry 60/42mm dia	6	B2730136
1 Way Floodlight Stirrup fixing	7	Z2701001
2 Way Floodlight Stirrup fixing	7	Z2704004
2 Way Post Top Spigot 76 dia	8	Z2807006