

P545 and P546 Luminaire

A banded spherical lantern (design theme as the larger P540), with two variations to complement the styles and lighting needs of the application. The P545 reflector system has a close to fall cut-off distribution, whilst the P546 has an upward light component making the entire sphere glow at night.

P545 FEATURES

- Clear vandal-resistant acrylic bowl and spun aluminium top.
- Cast aluminium centre ring.
- Internal gear for all lamp sizes. (maximum 70w).
- Easily accessible compartment, for quick and safe re-lamping.
- Highly efficient multi-faceted optical system (design copyright) with 3-step adjustment for maximum light output with tight control of beam and minimum spill.
- Alternative IP65 sealed reflector system with factory set variable lamp position.

P546 FEATURES

- Pinstrip vandal-resistant acrylic bowl and top.
- Lower half reflector with translucent centre to give a glow effect to the whole sphere

OPTIONS AND EXTRAS

- Post top, twin post top and side entry options available.
- Flat glass option, to provide zero upward light (P545 only).
- Miniature photocell option.
- Choice of RAL colours at extra cost – see inside back cover for details.

Recommended Applications: Minor roads, residential areas, shopping areas, car parks, cycleways, rail, airports.

Suggested Column: 5 - 6m.

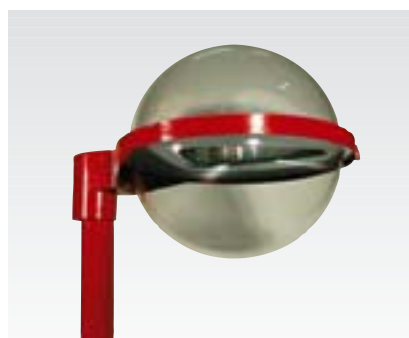
Wind area: 0.18m²

Spigot SE: 34mm x 80mm
PT: 76mm x 76mm

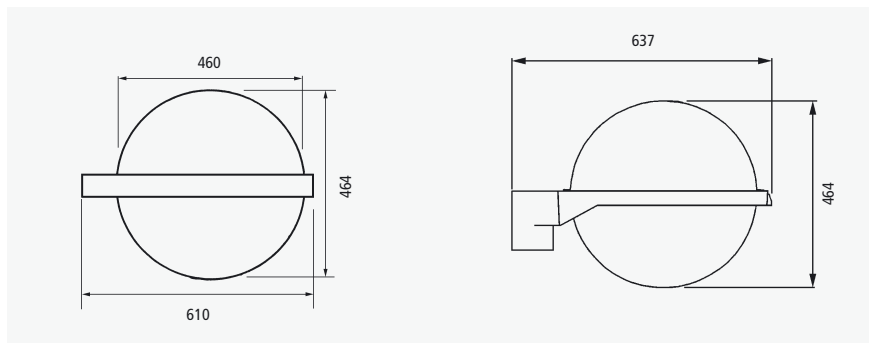
IP54 – IP65 Option



P545/PT/RAL



P546/PT/RAL



P545/SE

P545/PT



P545/PT on TT505005

Description	Product Number	Weight
Luminaire Reference	P545	6.5 kg
Luminaire Reference	P546	6.5 kg
Side entry mount	SE	-
Post top mount	PT	-
Twin post top mount	TPT	-
35w CDM control gear	35CDMT	1.6 kg
50w SON control gear	50SONT	1.6 kg
70w SON control gear	70SONT	1.9 kg
70w CDM control gear	70CDMTT	1.9 kg
Options		
Miniature 1 part photocell	PC	-
Flat glass lens	FCO	-
Special colour RAL number	RAL	-
Prewired with suitable length of cable	EW	-