

### P109 Lantern

A large Georgian style lantern for conservation areas, town squares, city streets, village centres and other similar situations, which require a traditional lantern whilst maintaining optimum light distribution and control. Used in places such as Regents Park, Kensington, Bath and Edinburgh with a strong Georgian design base.

#### FEATURES

- Black aluminium body.
- High Impact Acrylic vandal-resistant bowl.
- Integral control gear on removable tray for quick maintenance; up to 150w.
- IP54 sealed lamp and gear compartment for minimum cleaning.
- Refractor for asymmetrical light distribution.

#### OPTIONS AND EXTRAS

- Asymmetrical light distribution refractor option.
- Minor road lighting reflector option (50w and 70w SON-T or 35w and 70w CDM only), with factory set variable lamp position.
- Opal or Clear bowl options.
- Miniature photocell option.
- IP66 sealed reflector system option: for 50w and 70w SON-T or 35w CDM-T and 70w CDM-TT.
- Choice of RAL colours at extra cost – see inside back cover for details.
- Wall bracket option. WB500.

Recommended Applications: Residential areas, shopping areas, squares, parks, minor roads, footpaths.

Suggested Column: 3.5 - 6m, for post-top or wall-mounted fixing.

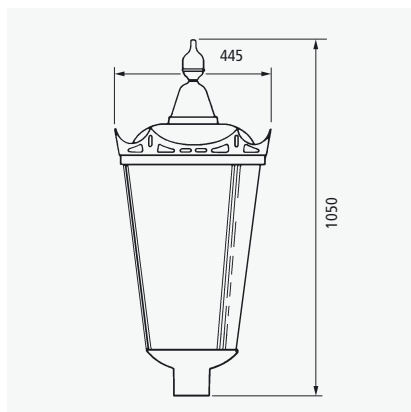
Wind area: 0.33m<sup>2</sup>

Spigot PT: 76mm x 76mm

IP54



P109/Clear/R



P109



P109

Description	Product Number	Weight
Luminaire Reference	P109	11.0 kg
35w CDM control gear	35CDMT	1.6 kg
50w SON control gear	50SON or SONT	1.6 kg
70w SON control gear	70SON or SONT	1.9 kg
70w CDM control gear	70CDMET or CDMTT	1.9 kg
100w SON control gear	100SON	2.1 kg
100w CDM control gear	100CDMET	2.1 kg
150w SON control gear	150SON	2.8 kg
150w CDM control gear	150CDMET	2.8 kg
<b>Options</b>		
Clear Bowl	CLEAR	-
Opal Bowl	OPAL	-
Refractor	R	-
Road Lighting Reflector	SRR	-
Miniature 1 part photocell	MINI	-
Special colour RAL number	RAL	-
Prewired with suitable length of cable	EW	-



P109 MBNA Chester



P109 Bath



P109 Kensington on existing column



P109 Fitzroy Square on existing column