

FL550 Floodlight

A zero light pollution floodlight designed to provide full control of the light output with no glare and no upward light. Most suitable for use on sports stadiums, airport aprons and other area where a very high degree of light control is required, and spill light minimized. A floodlight with an internally angled flat glass, and a main beam at 65degrees, so no external light control is required. This enables it to light a larger area than equivalent low light-pollution floodlights, without unsightly cowls.

FEATURES

- Die-cast aluminium body.
- IP65 sealed floodlight.
- For use with lamps of 1000w to 2000w, all with remote control gear.
- High specular finish reflector with 65 degree main beam.
- High temperature resistant toughened glass window.
- Stirrup fixing.
- Power cut-off safety switch fitted to all FL550 floodlights except SONT and MBIT versions.

OPTIONS AND EXTRAS

- Choice of RAL colours at extra cost – see inside back cover for details.

Recommended Applications: Sports facilities, high masts, airports, ports, industrial areas, railways.

Suggested Column: 15 - 50m, for fixing on a floodlight bracket.

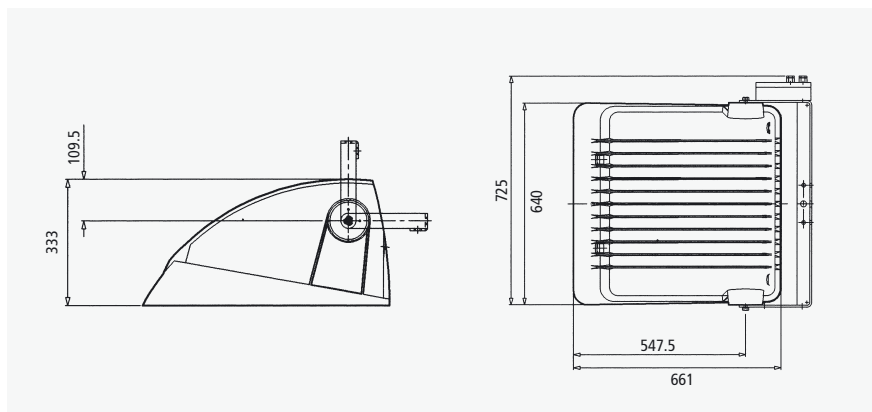
Wind area: 0.24m²

Stirrup fixing

IP65



FL550

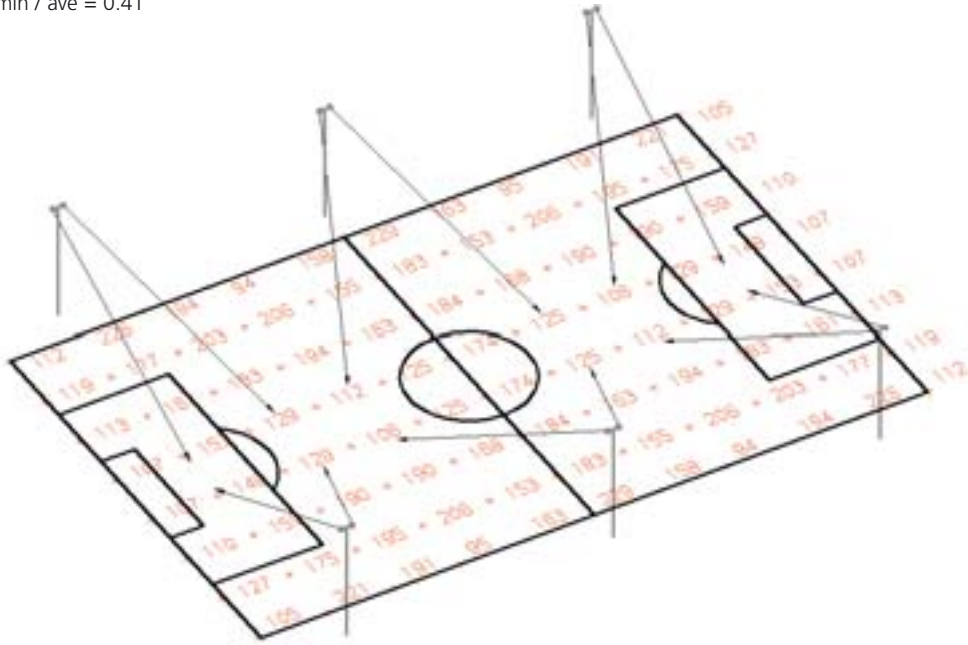


FL550

Description	Product Number	Weight
Luminaire Reference	FL550	23.3 kg
1000w SONT lamp	1000SONT	0.4 kg
1000w MBIT lamp	1000MBIT	0.4 kg
1000w MHN/LA lamp	1000MHNLA	0.7 kg
2000w MHN/LA lamp	2000MHNLA	1.1 kg
Options		
Special colour RAL number	RAL	

FOOTBALL PITCH - BASIC FA CLUB LEVEL

6 no. 16 metre columns each with 2 x FL550
2kW MHN-LA.
Average Maintanenced Illuminance 157 lux
min / ave = 0.60 min / ave = 0.41



RUGBY PITCH - BASIC CLUB LEVEL

8 no. 16 metre columns each with 3 x FL550
2kW MHN-LA.
Average Maintanenced Illuminance 263 lux
min / ave = 0.74 min / ave = 0.57

