

FL444 Floodlight

A highly efficient high-powered compact floodlight, for lighting large areas such as stadiums. Various options and large wattage options make the FL444 suitable in a wide range of circumstances where high illumination is needed.

FEATURES

- Cast aluminium body.
- High temperature resistant toughened front glass.
- For use with lamps of 1000w to 2000w, all with remote control gear.
- Choice of two beam options.
- Asymmetric options have an integral baffle to control upward spread of light.
- Power cut-off safety switch fitted to all versions except GES types (SON and MBI).
- Projector version uses short arc lamps (HQI-TS2 and MHN-SA).

OPTIONS AND EXTRAS

- Narrow asymmetric (for side lighting of sports stadiums etc.), or Projector narrow 'pencil' (for lighting over long distances such as corner towers of stadiums) beam options.
- Louvre option to reduce sideways distribution.
- Low glare baffle option to reduce upward light.
- Airport baffle option for use in and around airport sites where a high degree of light control above the horizontal is needed.
- Choice of RAL colours at extra cost – see inside back cover for details.



FL444 at Dalian Stadium

Recommended Applications: High masts, airports, ports, sports facilities, architecture, industrial areas.

Suggested Column: 12 - 50m, for fixing on a floodlight bracket.

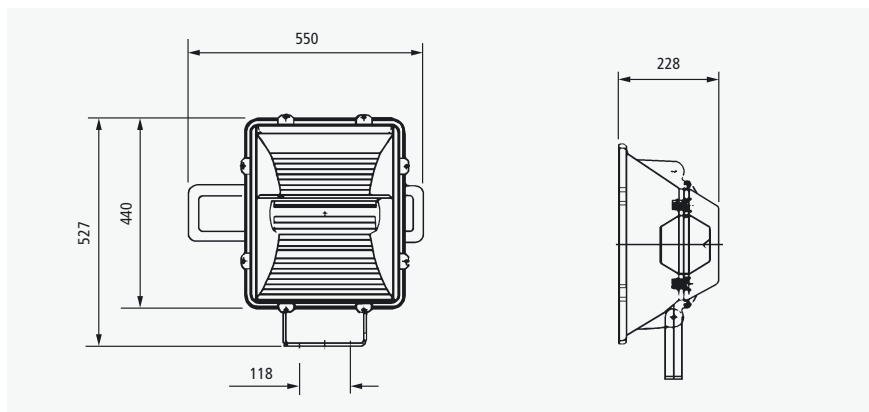
Wind area: 0.19m²

Stirrup fixing

IP54



FL444/Narrow

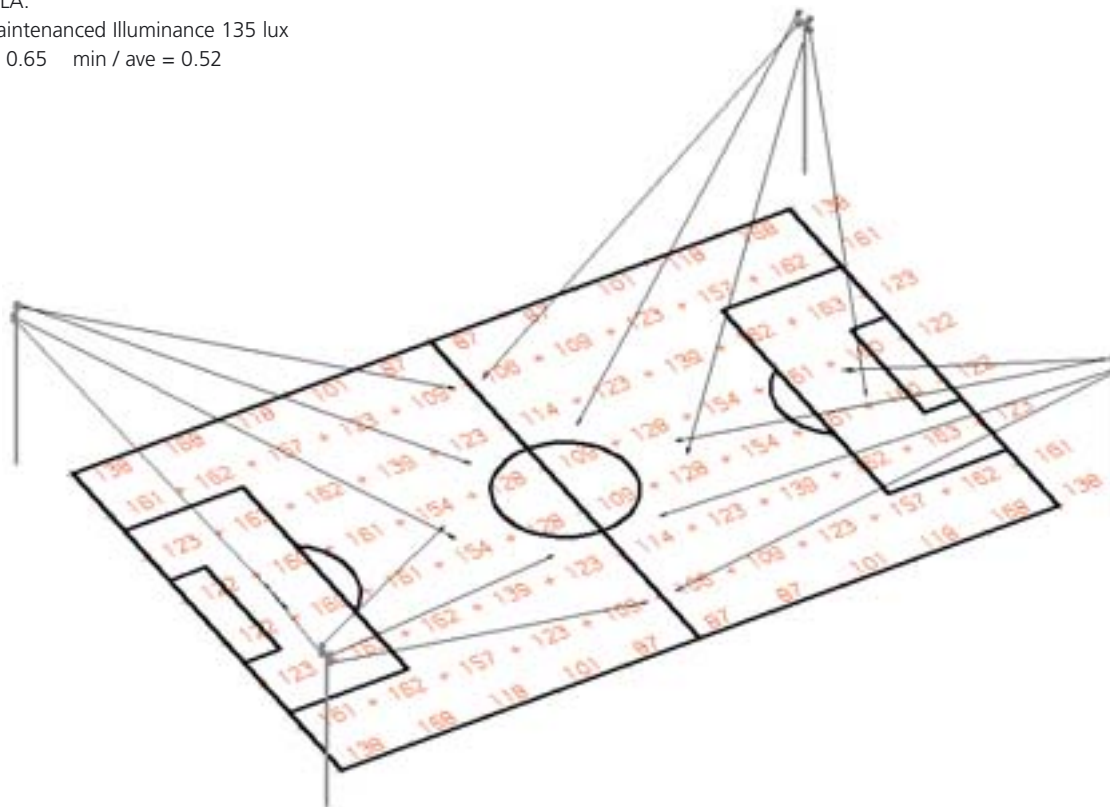


FL444

Description	Product Number	Weight
Luminaire Reference	FL444	10.8 kg
1000w SON/T lamp	1000SONT	0.4 kg
1000w MBI/T lamp	1000MBIT	0.4 kg
1000w MHN/LA lamp	1000MHNLA	0.7 kg
1000w HQI/TS lamp	1000HQI	0.7 kg
2000w HQI/TS lamp	2000HQI	1.1 kg
2000w MHN/SA lamp	2000MHNSA	1.1 kg
2000w MHN/LA lamp	2000MHNLA	1.1 kg
Narrow Asymmetric Beam	NARROW	-
Projector Beam	PROJ	-
Options (first three are mutually exclusive)		
Louvres	L	
Airport Baffle (1000w SON-T only)	S80	
Low Glare Baffle	B	
Instant restrike system (2kw projector only)	IR	
Special colour RAL number	RAL	

FOOTBALL PITCH - BASIC FA CLUB LEVEL

4 no. 20 metre columns each with 4 x **FL444**
2kW MHN-LA.
Average Maintained Illuminance 135 lux
min / ave = 0.65 min / ave = 0.52



HOCKEY PITCH - BASIC FA CLUB LEVEL

8 no. 14 metre columns each with 2 x **FL444**
2kW MHN-LA.
Average Maintained Illuminance 207 lux
min / ave = 0.81 min / ave = 0.68

