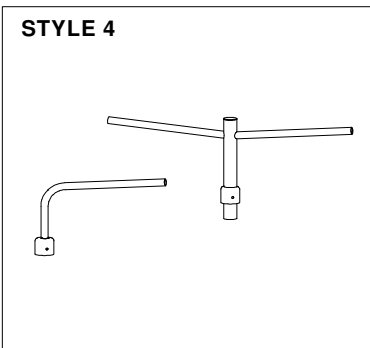


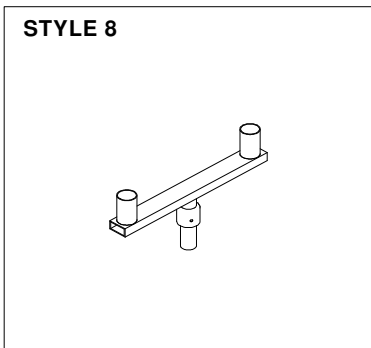
STANDARD ROAD AND FLOODLIGHT BRACKETS

All side entry brackets are with 5 deg uplift unless specified otherwise.
 Style 1 brackets are without gusset unless specified otherwise.
 S/A is Single Arm D/A is Double Arm

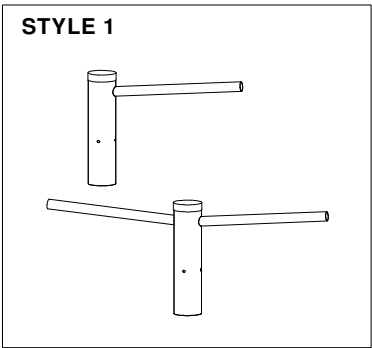
STYLE 4



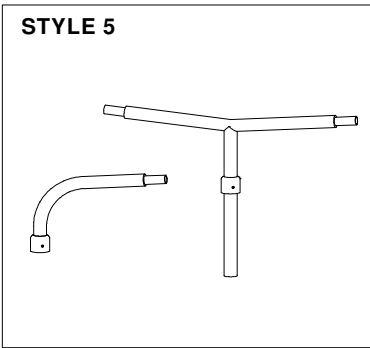
STYLE 8



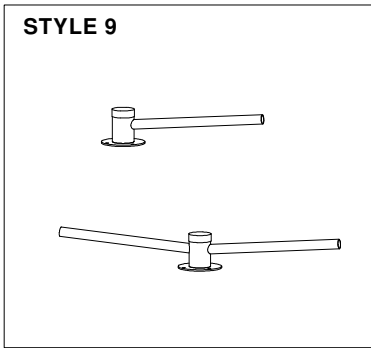
STYLE 1



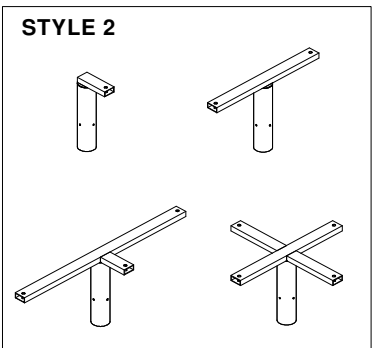
STYLE 5



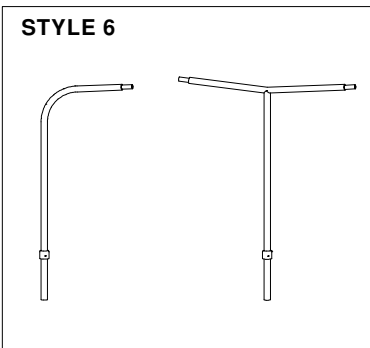
STYLE 9



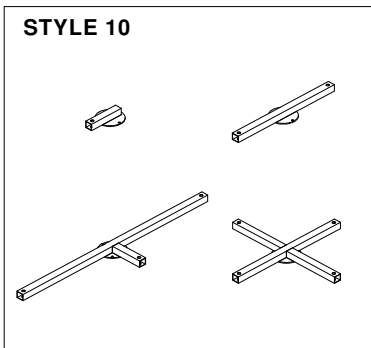
STYLE 2



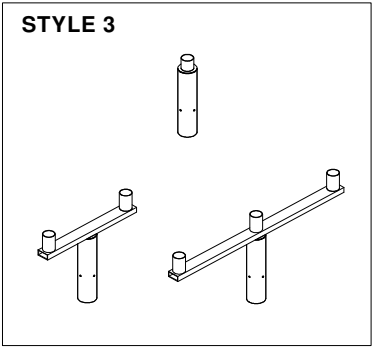
STYLE 6



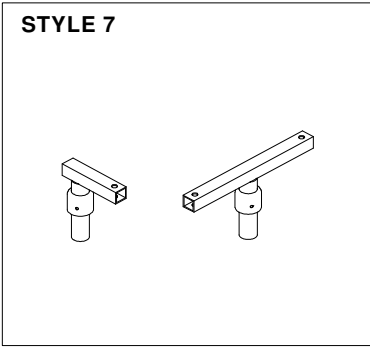
STYLE 10



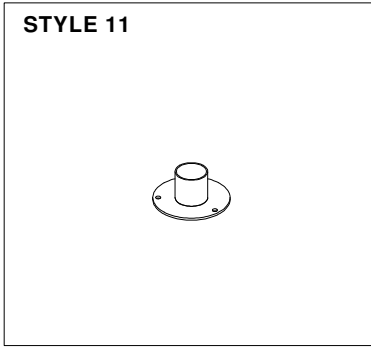
STYLE 3



STYLE 7



STYLE 11



STANDARD ROAD & FLOODLIGHT BRACKET PART NUMBERS

| FOREST COLUMNS 76mm dia shaft | Style | Part Number |
|-----------------------------------|-------|-------------|
| S/A 0.30m Side Entry 34mm dia | 4 | B2406501 |
| S/A 0.50m Side Entry 34mm dia | 4 | B2410501 |
| S/A 0.75m Side Entry 34mm dia | 4 | B2415501 |
| D/A 0.30m Side Entry 34mm dia | 4 | Z2406402 |
| D/A 0.50m Side Entry 34mm dia | 4 | Z2410402 |
| D/A 0.75m Side Entry 34mm dia | 4 | Z2415402 |
| 1 Way Floodlight (stirrup fixing) | 7 | Z2701001 |
| 2 Way Floodlight (stirrup fixing) | 7 | Z2704004 |
| 2 Way Post Top Spigot 76 dia | 8 | Z2807006 |

| FOREST COLUMNS 76mm dia shaft - reducer bracket | Style | Part Number |
|--|-------|-------------|
| S/A 0.30m Side Entry 34mm dia | 1 | A2406201 |
| S/A 0.50m Side Entry 34mm dia | 1 | A2410201 |
| S/A 0.75m Side Entry 34mm dia | 1 | A2415201 |
| D/A 0.30m Side Entry 34mm dia | 1 | A2406200 |
| D/A 0.50m Side Entry 34mm dia | 1 | A2410200 |
| D/A 0.75m Side Entry 34mm dia | 1 | A2415200 |

| FOREST COLUMNS 90mm dia shaft - reducer bracket | Style | Part Number |
|--|-------|-------------|
| S/A 0.50m Side Entry 42mm dia | 1 | A2510211 |
| S/A 1.00m Side Entry 42mm dia | 1 | A2520211 |
| S/A 1.50m Side Entry 42mm dia | 1 | A2530211 |
| S/A 2.00m Side Entry 42mm dia | 1 | A2540211 |
| D/A 0.50m Side Entry 42mm dia | 1 | A2510210 |
| D/A 1.00m Side Entry 42mm dia | 1 | A2520210 |
| D/A 1.50m Side Entry 42mm dia | 1 | A2530210 |
| D/A 2.00m Side Entry 42mm dia | 1 | A2540210 |
| Post Top Adaptor 76mm dia x 76mm | 3 | A2000011 |
| Post Top Adaptor 60mm dia x 100mm | 3 | A20000113 |
| 1 Way Floodlight Stirrup fixing | 2 | A2905211 |
| 2 Way Floodlight Stirrup fixing | 2 | A2906218 |
| 2 Way Post Top Spigot 76 dia | 3 | A2807212 |
| 3 Way Floodlight Stirrup fixing | 2 | A2913213 |
| 3 Way Post Top Spigot 76 dia | 3 | A2813213 |
| 4 Way Floodlights Stirrup fixing 2up / 2down | 2 | A2908212 |
| 4 Way Floodlight Stirrup fixing NSEW | 2 | A2910214 |
| 4 Way Post Top Spigot 76 dia NSEW | 3 | A2810214 |

| FOREST COLUMNS 114mm dia shaft - reducer bracket | Style | Part Number |
|---|-------|-------------|
| S/A 0.50m Side Entry 42mm dia | 1 | A2510231 |
| S/A 1.00m Side Entry 42mm dia | 1 | A2520231 |
| S/A 1.50m Side Entry 42mm dia | 1 | A2530231 |
| S/A 2.00m Side Entry 42mm dia | 1 | A2540231 |
| D/A 0.50m Side Entry 42mm dia | 1 | A2510230 |
| D/A 1.00m Side Entry 42mm dia | 1 | A2520230 |
| D/A 1.50m Side Entry 42mm dia | 1 | A2530230 |
| D/A 2.00m Side Entry 42mm dia | 1 | A2540230 |
| Post Top Adaptor 76mm dia x 76mm | 3 | A2000031 |
| Post Top Adaptor 60mm dia x 100mm | 3 | A2000039 |
| 1 Way Floodlight Stirrup fixing | 2 | A2905231 |
| 2 Way Floodlight Stirrup fixing | 2 | A2906238 |
| 2 Way Post Top Spigot 76 dia | 3 | A2807232 |
| 3 Way Floodlight Stirrup fixing | 2 | A2913233 |
| 3 Way Post Top Spigot 76 dia | 3 | A2813233 |
| 4 Way Floodlights Stirrup fixing 2up / 2down | 2 | A2908232 |
| 4 Way Floodlight Stirrup fixing NSEW | 2 | A2910236 |
| 4 Way Post Top Spigot 76 dia NSEW | 3 | A2810234 |

| FOREST COLUMNS 140mm dia shaft - reducer bracket | Style | Part Number |
|---|-------|-------------|
| S/A 0.50m Side Entry 42mm dia | 1 | L2510241 |
| S/A 1.00m Side Entry 42mm dia | 1 | L2520241 |
| S/A 1.50m Side Entry 42mm dia | 1 | L2530241 |
| S/A 2.00m Side Entry 42mm dia | 1 | L2540241 |
| D/A 0.50m Side Entry 42mm dia | 1 | L2510240 |
| D/A 1.00m Side Entry 42mm dia | 1 | L2520240 |
| D/A 1.50m Side Entry 42mm dia | 1 | L2530240 |
| D/A 2.00m Side Entry 42mm dia | 1 | L2540240 |
| Post Top Adaptor 76mm dia x 76mm | 3 | L2000041 |
| Post Top Adaptor 60mm dia x 100mm | 3 | L20000413 |
| 1 Way Floodlight Stirrup fixing | 2 | P2905241 |
| 2 Way Floodlight Stirrup fixing | 2 | P2908242 |
| 2 Way Post Top Spigot 76 dia | 3 | P2807242 |
| 3 Way Floodlight Stirrup fixing | 2 | P2913243 |
| 3 Way Post Top Spigot 76 dia | 3 | P2813243 |
| 4 Way Floodlights Stirrup fixing 2up / 2down | 2 | P2908242 |
| 4 Way Floodlight Stirrup fixing NSEW | 2 | P2910244 |
| 4 Way Post Top Spigot 76 dia NSEW | 3 | P2808244 |

| SMALL MID HINGED COLUMN (UP TO 6M) | Style | Part Number |
|---------------------------------------|-------|-------------|
| S/A 0.30m Side Entry 34mm dia | 4 | B2406501 |
| S/A 0.50m Side Entry 34mm dia | 4 | B2410501 |
| D/A 0.30m Side Entry 34mm dia | 4 | Z2406402 |
| D/A 0.50m Side Entry 34mm dia | 4 | Z2410402 |
| 1 Way Floodlight Stirrup fixing | 7 | Z2701001 |
| 2 Way Floodlight Stirrup fixing | 7 | Z2704004 |
| 2 Way Post Top Spigot 76 dia | 8 | Z2807006 |

| MID HINGED COLUMN (8M TO 18M) BASE HINGED COLUMNS FLOODPOLES (FP) & SPORTS FLOOD POLES (SFP) | Style | Part Number |
|--|-------|-------------|
| S/A 0.30m Side Entry 42mm dia (3.7kg) | 9 | 5200555 |
| S/A 0.50m Side Entry 42mm dia (4.1kg) | 9 | 5200553 |
| S/A 1.00m Side Entry 42mm dia (5.2kg) | 9 | 5200559 |
| S/A 1.50m Side Entry 42mm dia (6.4kg) | 9 | 5200539 |
| D/A 0.30m Side Entry 42mm dia (4.5kg) | 9 | 5200556 |
| D/A 0.50m Side Entry 42mm dia (5.3kg) | 9 | 5200554 |
| D/A 1.00m Side Entry 42mm dia (7.6kg) | 9 | 5200734 |
| D/A 1.50m Side Entry 42mm dia (9.9kg) | 9 | 5200519 |
| Post Top Spigot 76mm dia x 76mm (1.1) | 11 | 5200738 |
| Post Top Spigot 60mm dia x 80mm (1.0) | 11 | 5200739 |
| 1 Way Floodlight Stirrup fixing (2.8kg) | 10 | 5200951 |
| 2 Way Floodlight Stirrup fixing (6.0kg) | 10 | 5200962 |
| 3 Way Floodlight Stirrup fixing (11.6kg) | 10 | 5200963 |
| 4 Way Floodlight Stirrup 2up / 2down (7.4kg) | 10 | 5200952 |
| 4 Way Floodlight Stirrup fixing NSEW (11.4) | 10 | 5200965 |

| TT COLUMNS (UP TO 6M) | Style | Part Number |
|----------------------------------|-------|-------------|
| S/A 0.30m Side Entry 34mm dia | 4 | B2406501 |
| S/A 0.50m Side Entry 34mm dia | 4 | B2410501 |
| S/A 0.75m Side Entry 34mm dia | 4 | B2415501 |
| D/A 0.30m Side Entry 34mm dia | 4 | Z2406402 |
| D/A 0.50m Side Entry 34mm dia | 4 | Z2410402 |
| D/A 0.75m Side Entry 34mm dia | 4 | Z2415402 |
| 1 Way Floodlight Stirrup fixing | 7 | Z2701001 |
| 2 Way Floodlight Stirrup fixing | 7 | Z2704004 |
| 2 Way Post Top Spigot 76 dia | 8 | Z2807006 |
| S/A 0.30m Side Entry 60/34mm dia | 5 | B2706501 |
| S/A 0.50m Side Entry 60/34mm dia | 5 | B2710501 |
| S/A 0.75m Side Entry 60/34mm dia | 5 | B2715501 |
| D/A 0.30m Side Entry 34mm dia | 5 | B2706132 |
| D/A 0.50m Side Entry 34mm dia | 5 | B2710132 |
| D/A 0.75m Side Entry 34mm dia | 5 | B2715132 |

| TT COLUMNS (8M TO 12M) | Style | Part Number |
|----------------------------------|-------|-------------|
| S/A 0.50m Side Entry 60/42mm dia | 6 | B2710135 |
| S/A 0.75m Side Entry 60/42mm dia | 6 | B2715135 |
| S/A 1.00m Side Entry 60/42mm dia | 6 | B2720135 |
| S/A 1.25m Side Entry 60/42mm dia | 6 | B2725135 |
| S/A 1.50m Side Entry 60/42mm dia | 6 | B2730135 |
| D/A 0.50m Side Entry 60/42mm dia | 6 | B2710136 |
| D/A 0.75m Side Entry 60/42mm dia | 6 | B2715136 |
| D/A 1.00m Side Entry 60/42mm dia | 6 | B2720136 |
| D/A 1.25m Side Entry 60/42mm dia | 6 | B2725136 |
| D/A 1.50m Side Entry 60/42mm dia | 6 | B2730136 |
| 1 Way Floodlight Stirrup fixing | 7 | Z2701001 |
| 2 Way Floodlight Stirrup fixing | 7 | Z2704004 |
| 2 Way Post Top Spigot 76 dia | 8 | Z2807006 |